



SMD3.2×1.5 Tuning Fork Quartz Crystal Units(idt:FC135)

■ FEATURES:

- NT CUT
- Used for computer、mobile、telecom.etc.
- Low cost and high stability



■ SPECIFICATION:

Type	SMD3.2×1.5×0.8	
Frequency Range(F0)	32.768KHz	32.00 to 77.50KHz
Vibration Mode	NT cut,Fundamental	
Equivalent Series Resistance(Rs)	75KΩ	See Table NO. 1
Frequency Tolerance@ 25±3℃(ΔF/F0)	±10 ~ ±100 PPM	
Operating Temperature Range(TOPR)	-40 ~ +85℃	
Temperature Coefficient@ 25±3℃ (K)	0.04PPM/ (Δ℃) ²	
Shunt Capacitance(C0)	2.0PF Max	
Load Capacitance(CL)	12.5PF(Standard) or Specify	
Insulation Resistance(IR)	>500MΩ at DC 100V±15V	
Drive Level(DL)	1.0μW Max	
Aging(Fa)	±3 ~ ±5PPM /Year	

● Table NO.1: Equivalent Series Resistance(ESR) :

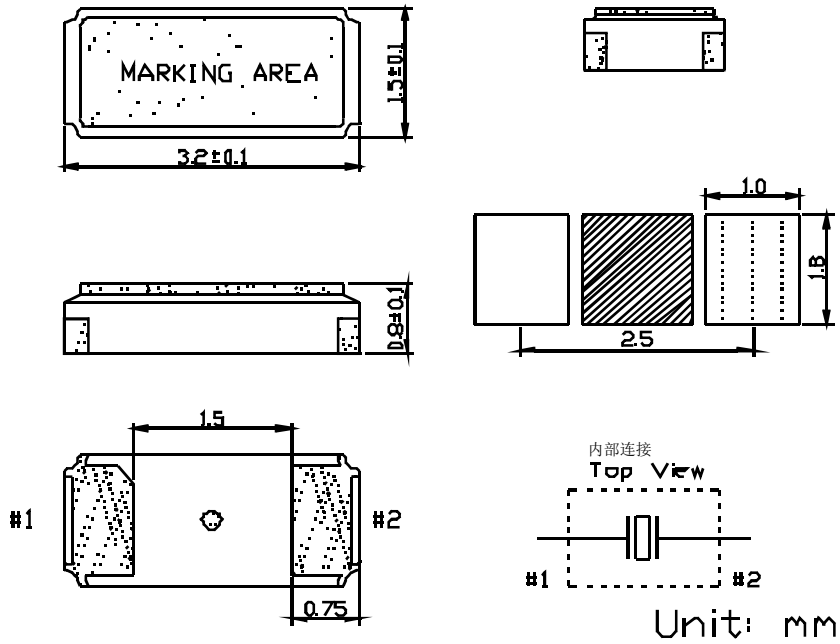
Frequency Range(KHz)	32.00 to 40.00	40.01 to 60.00	60.01 to 77.50
ESR(KΩ)	75	65	55



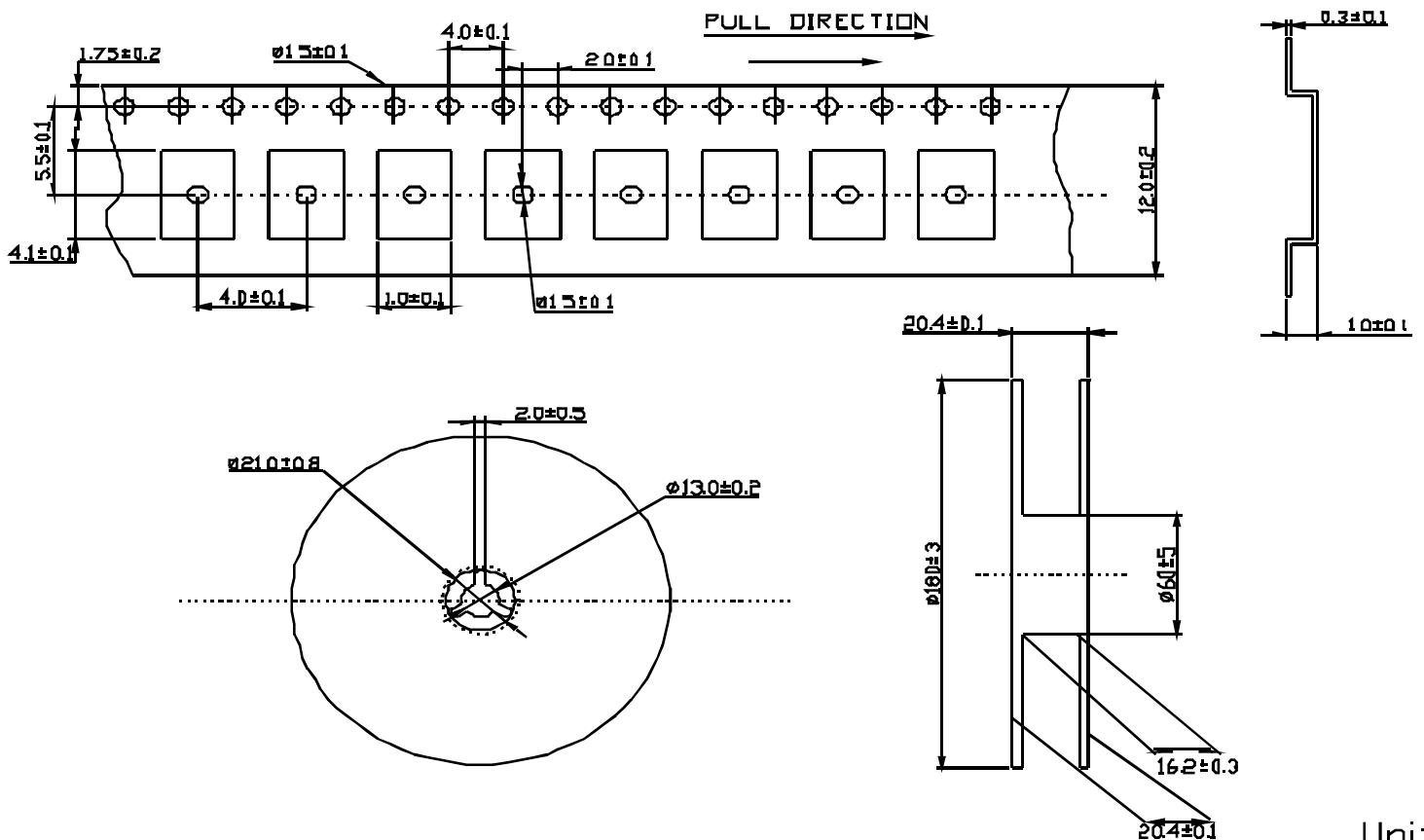


SMD3.2×1.5 Tuning Fork Quartz Crystal Units (idt:FC135)

■ DIMENSIONS:



■ TAPING AND REEL:



Unit: mm

